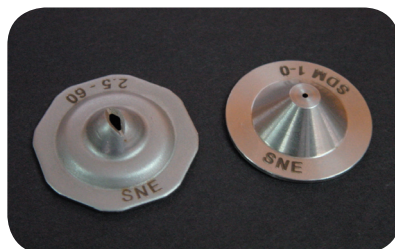




# SD SERIES - STAINLESS SHOWER DISC NOZZLES



**SD DISC NOZZLE**



**ROUND SD DISC NOZZLE**

SD series disc nozzles are a quality stainless spray nozzle in a low profile configuration designed to be retained in a weld on housing via a lock-nut and gasket system; the nozzle orifice protrudes into the spray header or delivery pipe, thus reducing the potential for blockage. When used in conjunction with a 'self-cleaning' shower head or manifold, the risk of nozzle blockage is further reduced. The SD nozzle series can be used to replace existing shower discs or as a complete system on 'new' spray manifolds.

## CHARACTERISTICS

Large range of flow rates available.  
Spray angles include 0°, 30° and 60°.  
Spray patterns include both needle jet, flat fan and blank discs. Weld on sockets and retaining nuts allow the entire SD assembly to be used for new installations. NEW 'Ceradome' ceramic needle jet nozzles; for brush showers now available, for longer wear life.

## CONSTRUCTION & MATERIALS

SD disc nozzles supplied standard in 304ss with 2B finish. Other materials available on request. SD weld on socket and retaining nut standard in 303SS. Other materials available on request. SD gasket available in Nitrile, Viton or Fibre. Now available in "Round" outside diameter profile (for certain sizes only)

## APPLICATIONS

The SD disc nozzle, due to its reduced blockage design, can be used for washing or spraying in pulp and paper mills, coal preparation plants, water treatment systems, screen and filter washing and many more.

## PERFORMANCE INFORMATION

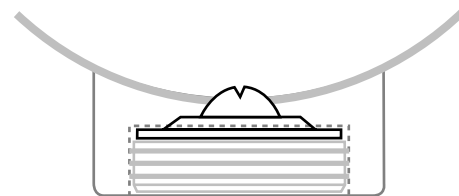
NOZZLE TYPE	STANDARD SPRAY ANGLES			Flow rate litres/min @ Bar G.						
	0°	30°	60°	1	3	6	US GPM @ 115PSI	10	30	50
SD .4				0.08	0.15	0.21	0.06	0.27	0.46	0.6
SD .6				0.16	0.27	0.38	0.12	0.49	0.85	1.1
SD .7				0.20	0.34	0.48	0.15	0.63	1.08	1.4
SD .8				0.30	0.50	0.70	0.21	0.90	1.6	2.0
SD 1				0.50	0.90	1.2	0.37	1.6	2.7	3.5
SD 1.2				0.60	1.3	1.6	0.48	2.0	3.5	4.5
SD 1.5				1.0	1.7	2.4	0.74	3.0	5.3	6.8
SD 2				1.8	3.1	4.4	1.32	5.6	9.7	12.5
SD 2.5				2.8	4.9	6.9	2.10	8.9	15.5	20.0
SD 3				4.5	7.8	11.0	3.30	14.1	24.0	32.0
SD 1				0.50	0.9	1.2	0.37	1.6	2.7	3.5
SD 1.5				1.0	1.7	2.4	0.74	3.0	5.3	6.8
SD 2				1.8	3.1	4.4	1.32	5.6	9.7	12.5
SD 2.5				2.8	4.9	6.9	2.10	8.9	15.5	20.0
SD 3				4.5	7.8	11.0	3.30	14.1	24.0	32.0
SD 1				0.50	0.90	1.2	0.37	1.6	2.7	3.5
SD 1.2				0.60	1.3	1.6	0.48	2.0	3.5	4.5
SD 1.5				1.0	1.7	2.4	0.74	3.0	5.3	6.8
SD 2				1.8	3.1	4.4	1.32	5.6	9.7	12.5
SD 2.5				2.8	4.9	6.9	2.10	8.9	15.5	20.0
SD 3				4.5	7.8	11.0	3.33	14.1	24.0	32.0
SD 4				7.2	12.4	17.5	5.34	22.7	39.0	51.0
SD 5				11.2	19.4	27.4	8.32	35.4	60.0	80.0
SD 6				17.8	31.0	43.8	13.31	56.6	95.0	127.0
SD 7				22.3	39.0	55.0	16.64	72.0	120.0	161.0

\* Other SD sizes, spray angles and material of construction available on request

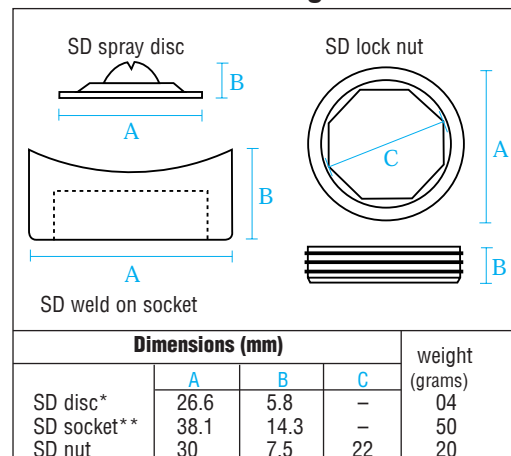
Available Spray Angles (blank discs available in all sizes)

DISTRIBUTED BY:

## Standard SD installation



## Dimensions & weights for SD



\*B dimension of SD spray disc may vary between Needlejet and Flat Spray.  
\*\*B & C dimensions of socket may change with pipe dimensions.

## HOW TO ORDER

SD Nozzle = SD304SS  
SD Assembly = 3"SD4304SS  
(to suit 3" N.B pipe size weld socket)

**WARRANTY:** The manufacturer will replace, repair or refund the purchase price of The Product at their option, free of charges, except transportation, if defective in their manufacture. Claims must be notified to the manufacturer within 90 days of sale or shipment either of which occurs first. The Product should be returned to the place of purchase. This warranty is exclusive remedy and the Manufacturer/Distributor shall not be liable for consequential damages, injury or commercial loss. The Manufacturer/Distributor makes no warranty of fitness for a particular purpose and makes no other warranty, express or implied arising from the course of dealing or usage in trade. Specification subject to change without notice. Chemical and Temperature compatibility is responsibility of purchaser, compatibility charts available at request.

